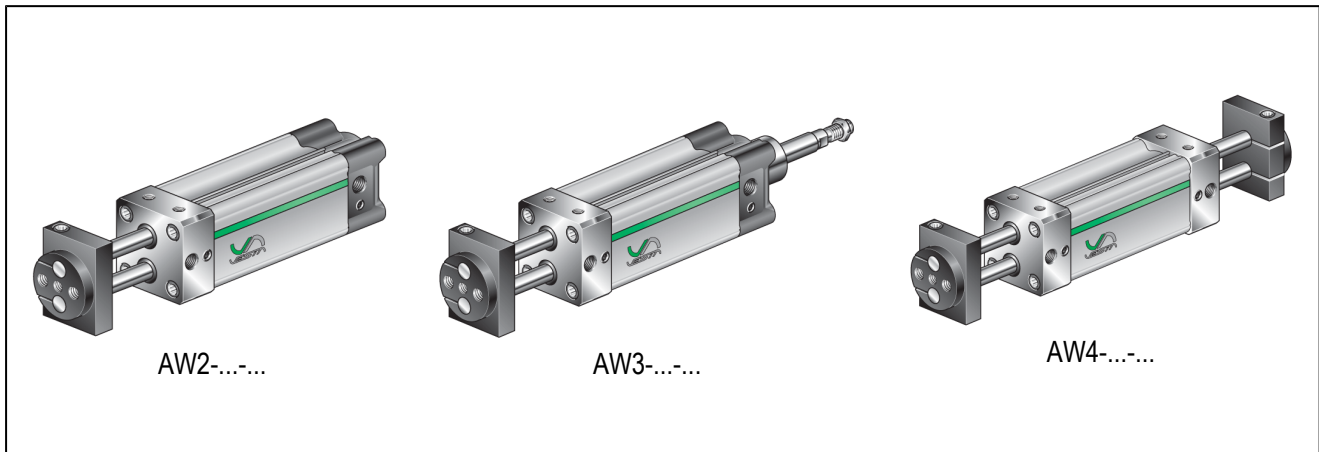


profile magnetic cylinder, non-rotating series AW2, AW3 and AW4



design	profile magnetic cylinder, non-rotating
heads	high pressure diecasting aluminum alloy
piston-rod	stainless steel X20Cr13
cylinder tube	aluminum profile hard anodized
seals	NBR and polyurethane
cushion	pneumatic, adjustable
ambient temperature	-10°C...+80°C
medium temperature	0°C...+40°C
lubrication	not necessary
medium	filtered compressed air
maximum operating pressure	10bar
information	CAD-files can be loaded on the STASTO Store under www.stasto.eu

type code

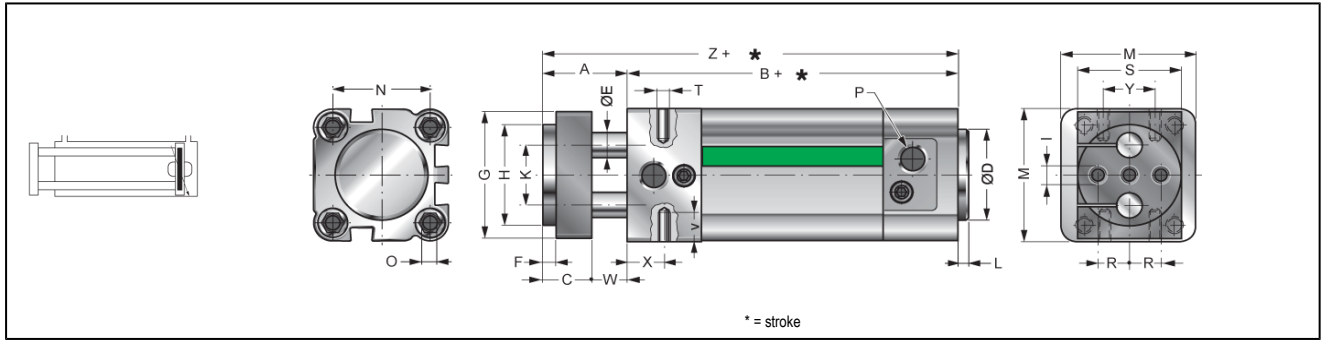
AW _	__	-	----
2	double piston rod	32	ø32
3	double piston rod and through rod	40	ø40
4	through double piston rod	50	ø50
		63	ø63
		80	ø80
		100	ø100
			stroke [mm]

standard strokes

Ø	25	50	80	100	125	160	200	250	300	350	400	450	500
32	•	•	•	•	•	•	•	•	•	•	•	•	•
40	•	•	•	•	•	•	•	•	•	•	•	•	•
50	•	•	•	•	•	•	•	•	•	•	•	•	•
63	•	•	•	•	•	•	•	•	•	•	•	•	•
80	•	•	•	•	•	•	•	•	•	•	•	•	•
100	•	•	•	•	•	•	•	•	•	•	•	•	•

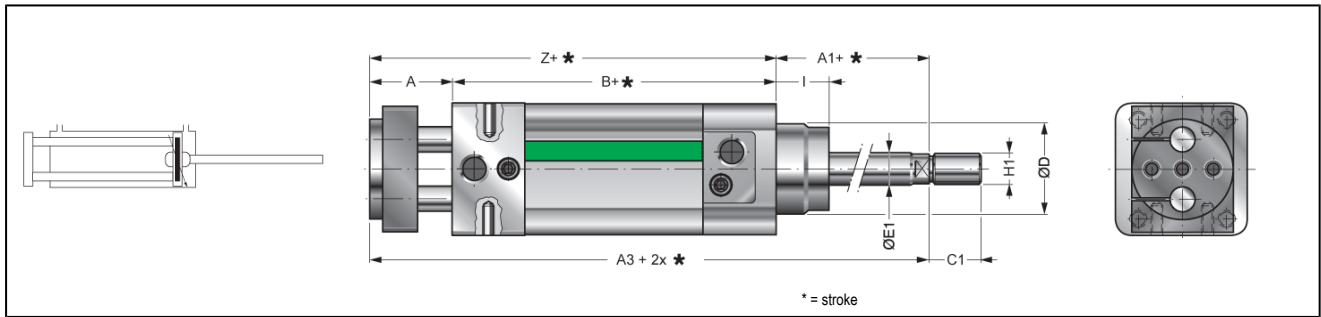
non-standard stroke on request

AW2 - ... - double piston rod



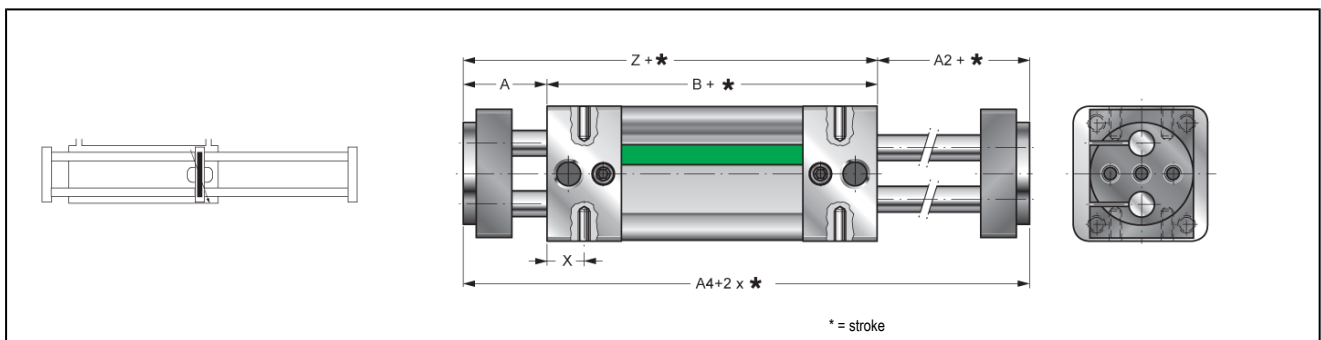
Ø	A	B	C	ØD	ØE	F	G	ØH	ØI	L	M	N	ØO	ØP	R	S	ØT	V	W	X	Y	Z	K	type
32	26	102	15	30	8	4	40	32	M6	4	45	32,5	M6	G1/8	9,5	32	M5	10	11	15	16	128	18	AW2-32-...
40	30	112	15	35	10	4	45	40	M8	4	55	38	M6	G1/4	11,5	40	M6	10	15	17,5	21	142	21	AW2-40-...
50	34	117	18	40	12	5	55	50	M8	4	65	46,5	M8	G1/4	15	50	M8	12	16	16	24	151	26	AW2-50-...
63	36	124	22	45	16	5	70	63	M10	4	80	56,5	M8	G3/8	19	63	M8	12	14	18	33	160	35	AW2-63-...
80	38	136	22	45	20	5	95	80	M12	4	100	72	M10	G3/8	25	80	M10	18	16	19	40	174	46	AW2-80-...
100	38	143	22	55	20	5	115	100	M12	4	115	89	M10	G1/2	35	100	M10	18	16	19	58	181	70	AW2-100-...

AW3 - ... - double piston rod and through rod



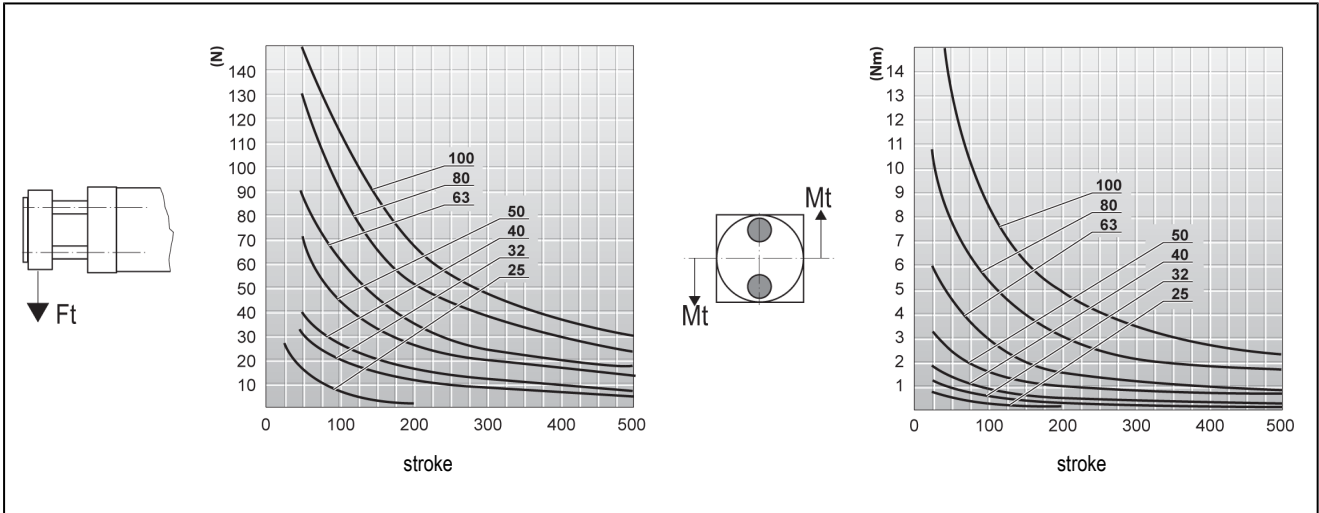
Ø	A	A1	A3	B	C1	CH	ØD	ØE1	I	ØH1	type
32	26	26	154	102	20	10	30	12	18	M10x1,25	AW3-32-...
40	30	30	172	112	24	13	35	16	21,5	M12x1,25	AW3-40-...
50	34	37	188	117	32	17	40	20	28	M16x1,5	AW3-50-...
63	36	37	197	124	32	17	45	20	28,5	M16x1,5	AW3-63-...
80	38	46	220	136	40	21	45	25	34,5	M20x1,5	AW3-80-...
100	38	51	232	143	40	25	55	30	38	M20x1,5	AW3-100-...

AW4 - ... - through double piston rod

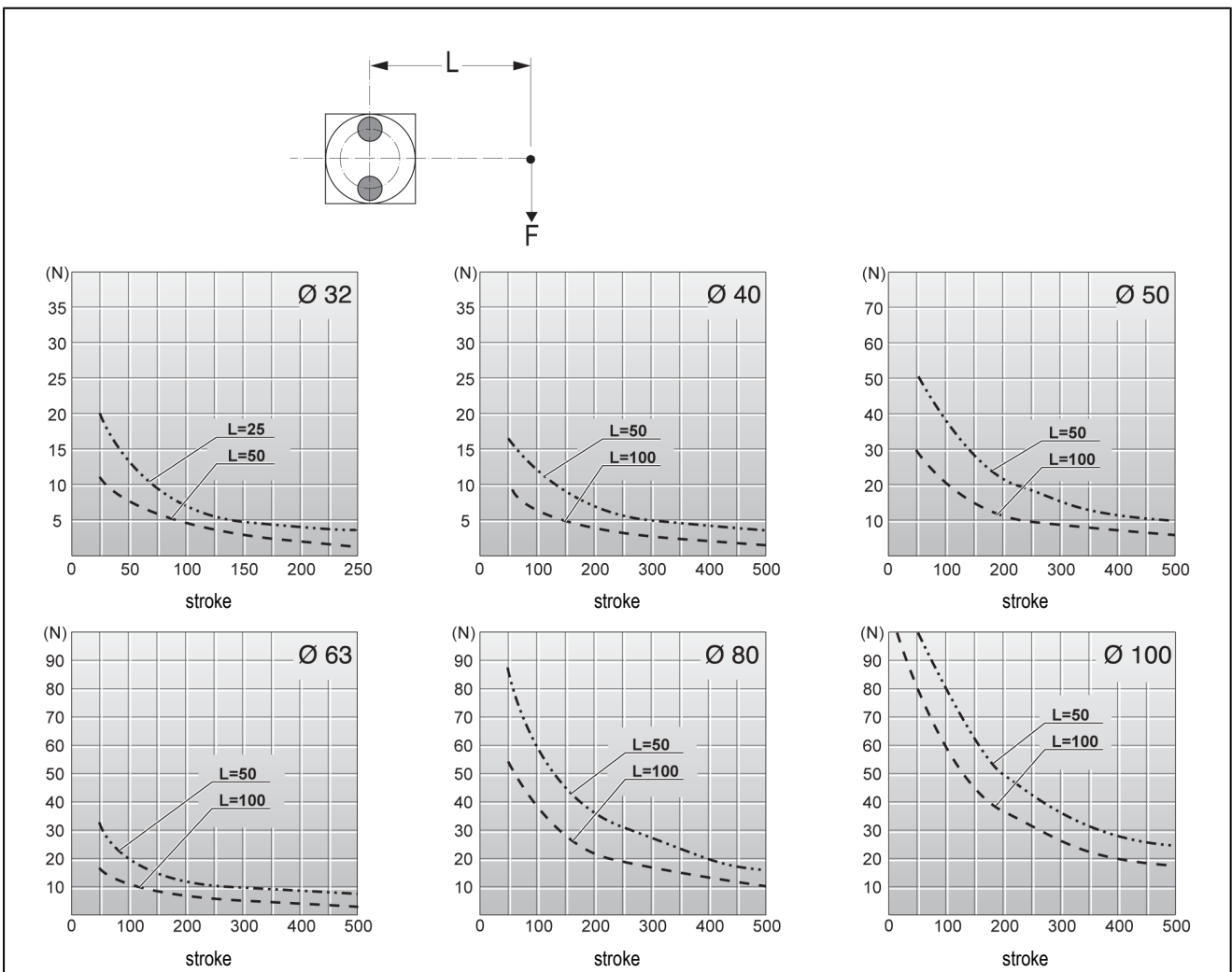


Ø	A	A2	A4	B	X	Z	type
32	26	26	154	102	15	128	AW4-32-...
40	30	30	172	112	17,5	142	AW4-40-...
50	34	34	185	117	16	151	AW4-50-...
63	36	36	196	125	18	160	AW4-63-...
80	38	38	212	136	19	174	AW4-80-...
100	38	38	219	143	19	181	AW4-100-...

max. shear force and max. torque



bending moment



illustrations are for information only and are non-binding
all designs, configurations, measurements and materials are subject to change without prior notice