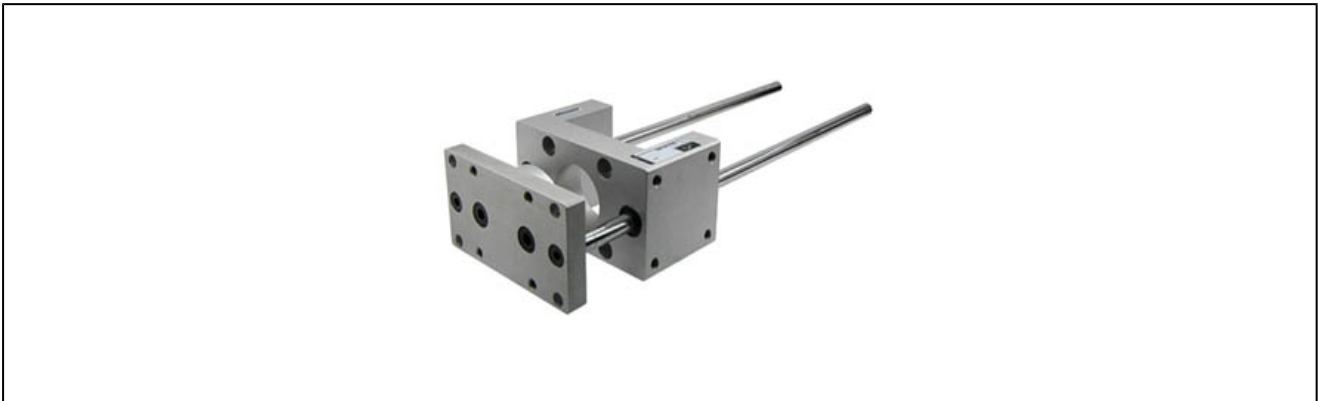


linear guide for ISO-cylinders with accessoires series GLC



design	linear guide unit for mounting at cylinder according to ISO 6432, ISO 15552
body	anodized aluminum
guide rods	polished stainless steel
slide bearing	brass
information	all linear guides are equipped with friction washers CAD files are available on the STASTO Store under www.stasto.eu

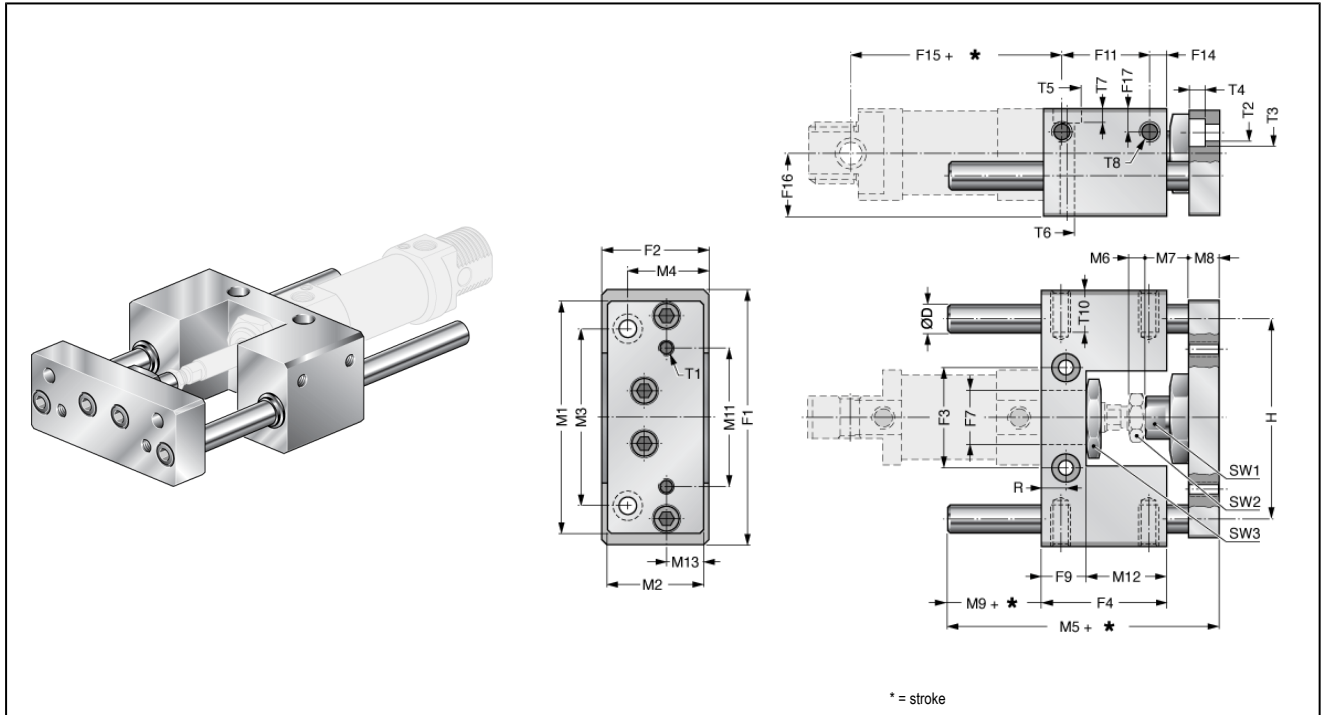
type code

GLC	---	.	----
	20	ø20	stroke [mm]
	25	ø25	
	32	ø32	
	40	ø40	
	50	ø50	
	63	ø63	
	80	ø80	
	100	ø100	

standard strokes, weight

Ø	25	50	80	100	125	160	200	250	300	400	500	weight for stroke "0" [kg]	add weight per stroke 100mm [kg]
20	•	•	•	•	•	•	•	•				0,67	0,115
25	•	•	•	•	•	•	•	•				0,66	0,115
32	•	•	•	•	•	•	•	•				0,66	0,122
40	•	•	•	•	•	•	•	•	•	•	•	0,96	0,176
50	•	•	•	•	•	•	•	•	•	•	•	1,4	0,176
63	•	•	•	•	•	•	•	•	•	•	•	1,7	0,176
80	•	•	•	•	•	•	•	•	•	•	•	3,5	0,312
100	•	•	•	•	•	•	•	•	•	•	•	4,7	0,312
non-standard stroke on request													

linear guide Ø20 and 25

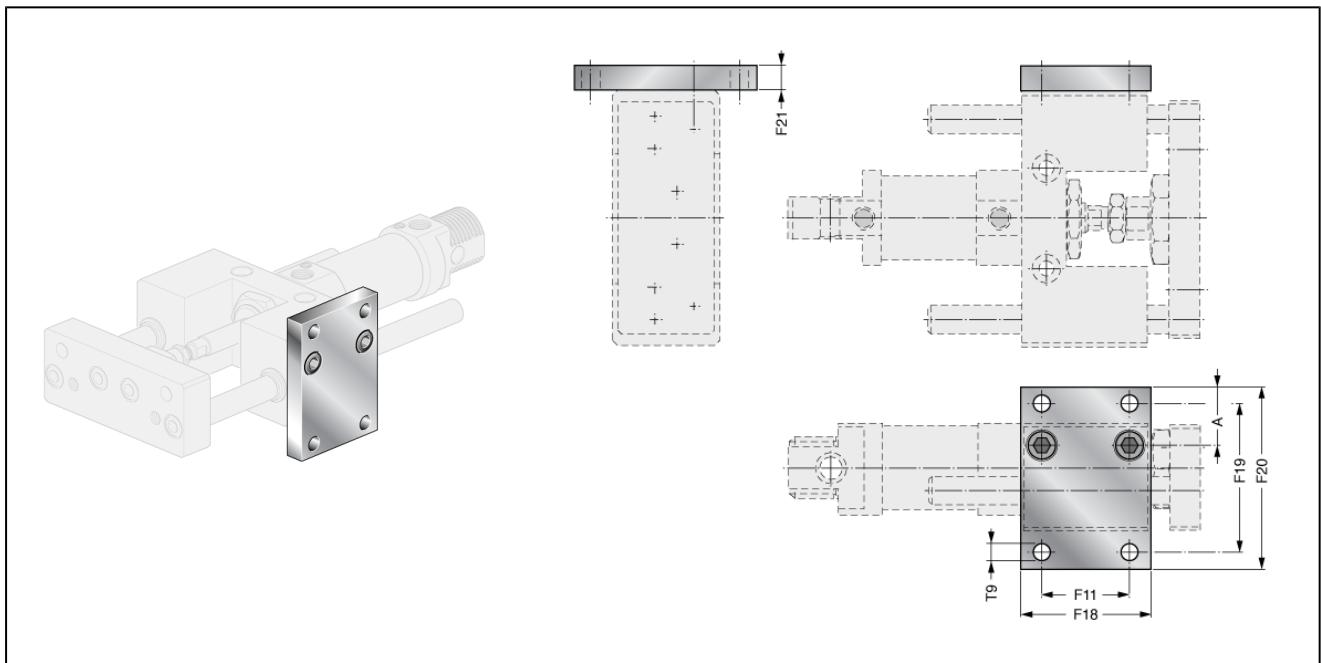


Ø	ØD	F1	F2	F3	F4	ØF7	F9	F11	F14	F15	F16	F17	H	M1	M2	M3	M4	M5	M6	type
20	10	100	40	46,5	48	22	17	32	8	71	24	10	74	90	38	70	30	77	4	GLC20...
25	10	100	40	46,5	48	22	17	32	8	76	24	10	74	90	38	70	30	77	6	GLC25...

Ø	M7	M8	M9	M11	M12	M13	R	ØT1	ØT2	ØT3	T4	ØT5	T6	T7	ØT8	T10	SW1	SW2	SW3	type
20	22	12	12	55	31	14	8,5	M6	6,5	10,5	7	14	9	9	M8	16	13	13	17	GLC20...
25	22	12	6	55	31	14	8,5	M6	6,5	10,5	7	14	9	9	M8	16	13	17	17	GLC25...

adapter for Ø12 and Ø16 - see adapter sets table

mounting plate for guides Ø20 and 25

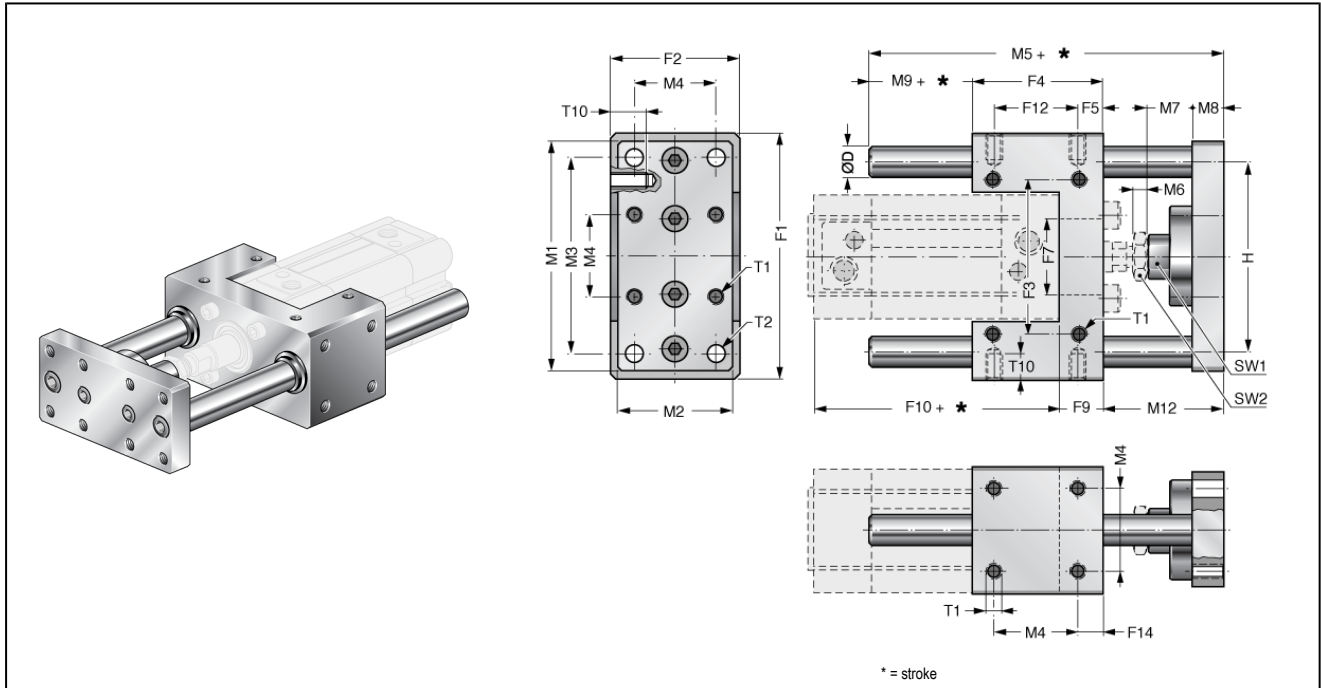


Ø	A	F11	F18	F19	F20	F21	ØT9	weight [kg]	type
20/25	25	32	50	56	70	10	7	0,26	GLC2025P

material: galvanised steel

scope of supply: incl. 2 mounting screws

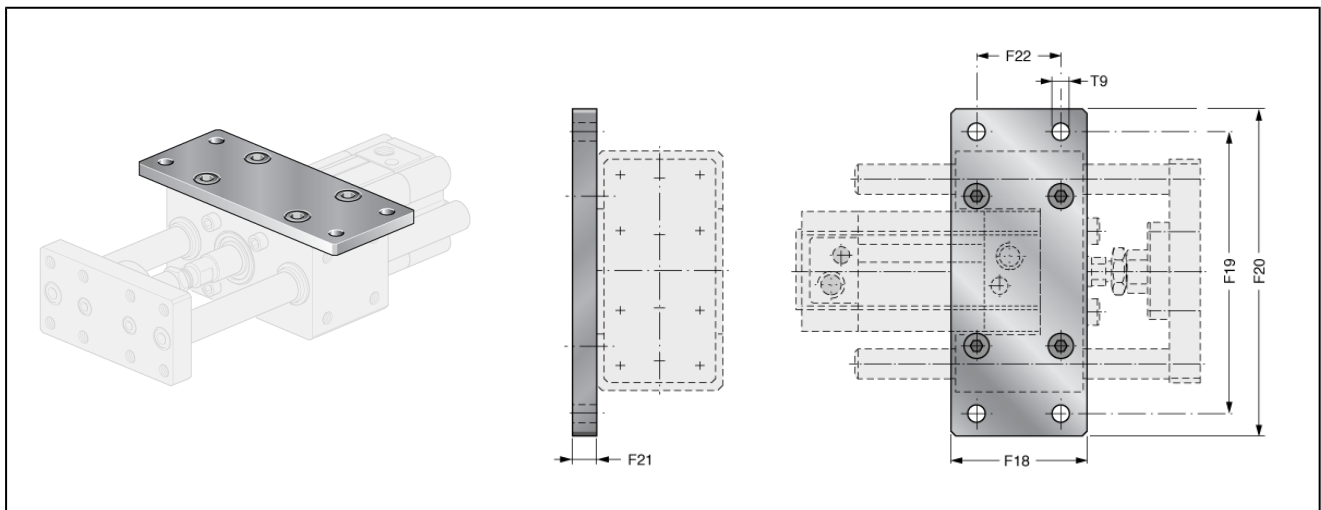
linear guide Ø32...100



Ø	ØD	F1	F2	F3	F4	ØF7	F9	F10	F12	F5	F14	H	M1	M2	M3	M4	M5	M6	M7	M8	M9	M12	ØT1	ØT2	T10	SW1	SW2	type
32	10	100	48	58	48	30	17	94	32,5	7,8	7,8	74	90	45	78	32,5	106	6	17	12	13	45	M6	6,5	12	15	17	GLC32...
40	12	106	56	64	58	35	21	105	38	10	10	80	100	50	84	38	117	7	22	12	6	53	M6	6,5	12	15	19	GLC40...
50	12	125	66	80	59	40	25	106	46,5	6,3	6,3	96	120	60	100	46,5	129	8	26	15	6	64	M8	8,5	16	22	24	GLC50...
63	12	132	76	95	76	45	25	121	56,5	9,8	9,8	104	125	70	105	56,5	146	8	26	15	6	64	M8	8,5	16	22	24	GLC63...
80	16	165	98	130	90	45	34	128	50	20	9	130	155	90	130	72	170	9	33	16	8	72	M10	11	18	27	30	GLC80...
100	16	185	118	150	110	55	39	138	70	20	10,5	150	175	110	150	89	190	9	33	16	8	72	M10	11	18	27	30	GLC100...

adapter for Ø20 and Ø25 - see adapter sets table

mounting plate for guides Ø32...100



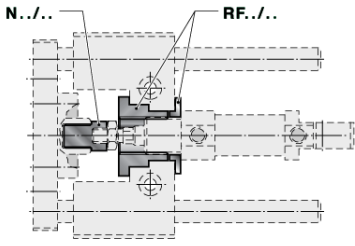
Ø	F18	F19	F20	F21	F22	ØT9	weight [kg]	type
32	50	116	130	10	32,5	6,5	0,5	GLC32P
40	55	126	142	10	38	8,5	0,6	GLC40P
50	70	150	170	12	46,5	8,5	1,1	GLC50P
63	80	156	176	12	56,5	8,5	1,3	GLC63P
80	100	195	220	15	80	12	2,55	GLC80P
100	120	217	245	15	95	14	3,39	GLC100P

material: galvanised steel

scope of supply: incl. 4 mounting screws

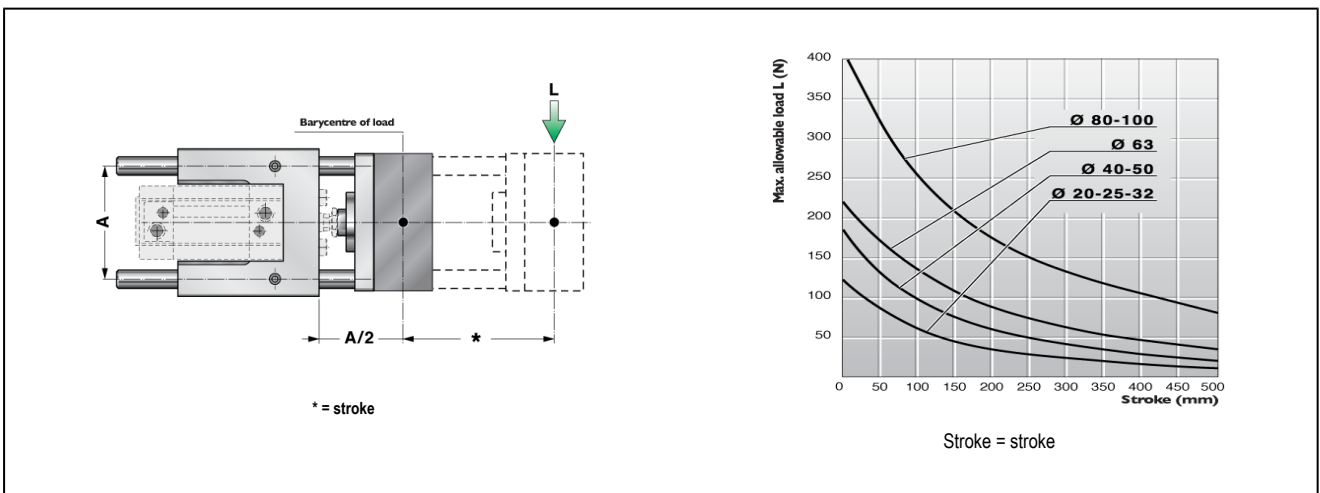
adapter sets

linear guide type	Ø12	Ø16	Ø20	Ø25	Ø32	Ø40	Ø50	Ø63	Ø80
	GLC20../GLC25..	RF25/12 N12/25	RF25/16 NC16/25						
GLC32..			RF32/20 NC20/32	RF32/25 NC25/32					
GLC40..			RF40/20 N20/40	RF40/25 N25/40	•				
GLC50..					RF50/32 N32/50	•			
GLC63..					RF63/32 N32/63	RF63/40 N40/63	•		
GLC80..						RF80/40 N40/80	RF80/50 N59/80	•	
GLC100..							RF100/50 N50/100	RF100/63 N63/100	•



- available upon request

max. load



illustrations are non-binding
all designs, configurations, measurements and materials are subject to change without prior notice