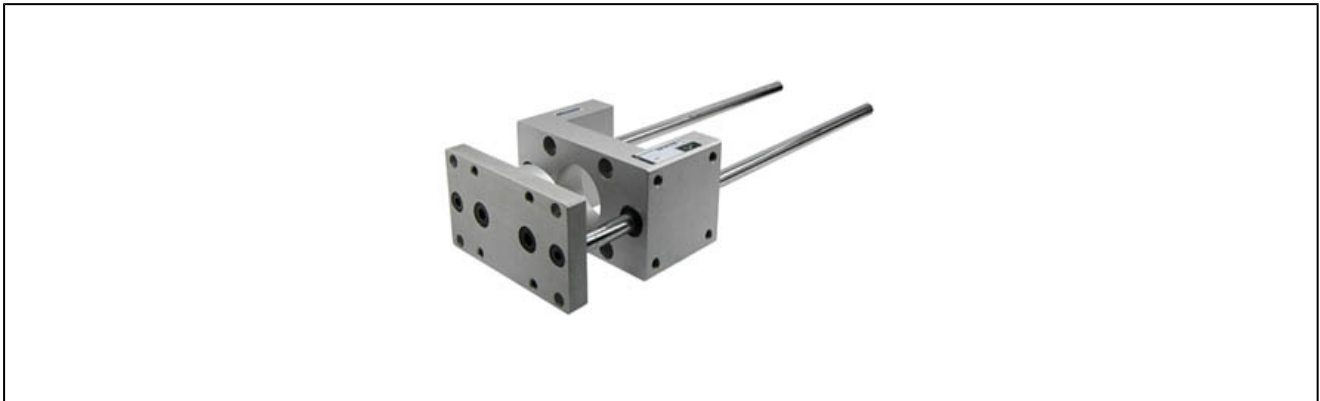


## linear control unit for ISO-cylinders with accessoires series GLC



|               |  |
|---------------|--|
| design        | linear control unit for mounting at cylinder according to ISO 6432, ISO 15552  |
| body          | anodized aluminum  |
| guide rods    | polished stainless steel   |
| slide bearing | brass  |
| information   | all linear guides are equipped with friction washers<br>CAD files are available on the STASTO Store under <a href="http://www.stasto.eu">www.stasto.eu</a> |

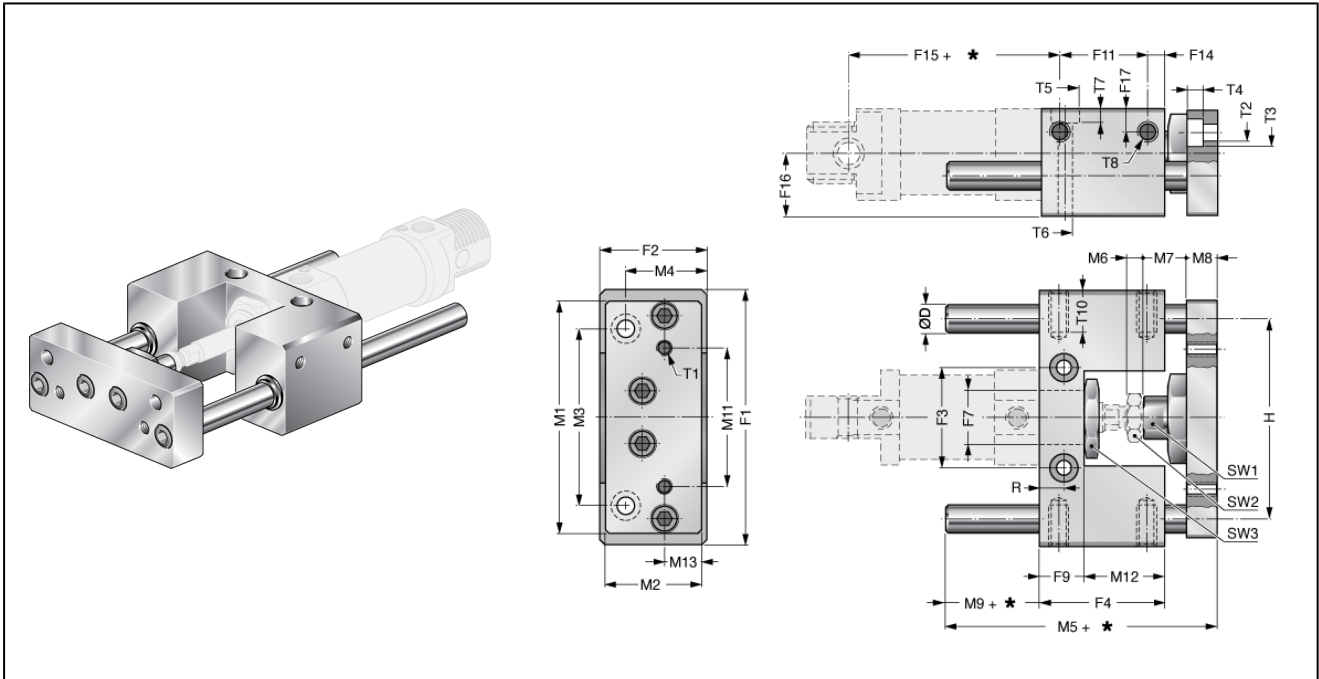
### type code

|     |      |   |             |
|-----|------|---|-------------|
| GLC | ---  | . | ----        |
| 20  | ø20  |   | stroke [mm] |
| 25  | ø25  |   |             |
| 32  | ø32  |   |             |
| 40  | ø40  |   |             |
| 50  | ø50  |   |             |
| 63  | ø63  |   |             |
| 80  | ø80  |   |             |
| 100 | ø100 |   |             |

### standard strokes, weight

| Ø                              | 25 | 50 | 80 | 100 | 125 | 160 | 200 | 250 | 300 | 400 | 500 | weight<br>for stroke "0" [kg] | add weight<br>per stroke 100mm [kg] |
|--------------------------------|----|----|----|-----|-----|-----|-----|-----|-----|-----|-----|-------------------------------|-------------------------------------|
| 20                             | •  | •  | •  | •   | •   | •   | •   | •   |     |     |     | 0,67                          | 0,115                               |
| 25                             | •  | •  | •  | •   | •   | •   | •   | •   |     |     |     | 0,66                          | 0,115                               |
| 32                             | •  | •  | •  | •   | •   | •   | •   | •   |     |     |     | 0,66                          | 0,122                               |
| 40                             | •  | •  | •  | •   | •   | •   | •   | •   | •   | •   | •   | 0,96                          | 0,176                               |
| 50                             | •  | •  | •  | •   | •   | •   | •   | •   | •   | •   | •   | 1,4                           | 0,176                               |
| 50                             | •  | •  | •  | •   | •   | •   | •   | •   | •   | •   | •   | 1,7                           | 0,176                               |
| 50                             | •  | •  | •  | •   | •   | •   | •   | •   | •   | •   | •   | 3,5                           | 0,312                               |
| 50                             | •  | •  | •  | •   | •   | •   | •   | •   | •   | •   | •   | 4,7                           | 0,312                               |
| non-standard stroke on request |    |    |    |     |     |     |     |     |     |     |     |                               |                                     |

## linear control unit Ø20 and 25

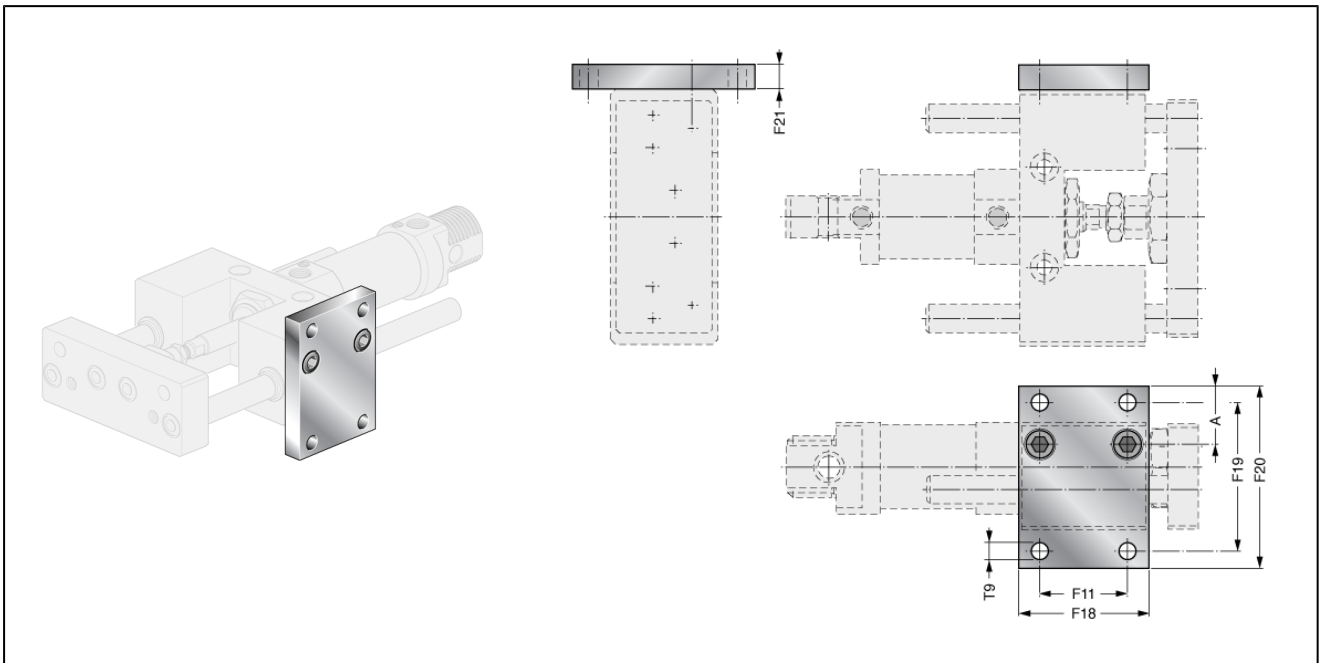


| Ø  | ØD | F1  | F2 | F3   | F4 | ØF7 | F9 | F11 | F14 | F15 | F16 | F17 | H  | M1 | M2 | M3 | M4 | M5 | M6 | type     |
|----|----|-----|----|------|----|-----|----|-----|-----|-----|-----|-----|----|----|----|----|----|----|----|----------|
| 20 | 10 | 100 | 40 | 46,5 | 48 | 22  | 17 | 32  | 8   | 71  | 24  | 10  | 74 | 90 | 38 | 70 | 30 | 77 | 4  | GLC20... |
| 25 | 10 | 100 | 40 | 46,5 | 48 | 22  | 17 | 32  | 8   | 76  | 24  | 10  | 74 | 90 | 38 | 70 | 30 | 77 | 6  | GLC25... |

| Ø  | M7 | M8 | M9 | M11 | M12 | M13 | R   | ØT1 | ØT2 | ØT3  | T4 | ØT5 | T6 | T7 | ØT8 | T10 | SW1 | SW2 | SW3 | type     |
|----|----|----|----|-----|-----|-----|-----|-----|-----|------|----|-----|----|----|-----|-----|-----|-----|-----|----------|
| 20 | 22 | 12 | 12 | 55  | 31  | 14  | 8,5 | M6  | 6,5 | 10,5 | 7  | 14  | 9  | 9  | M8  | 16  | 13  | 13  | 17  | GLC20... |
| 25 | 22 | 12 | 6  | 55  | 31  | 14  | 8,5 | M6  | 6,5 | 10,5 | 7  | 14  | 9  | 9  | M8  | 16  | 13  | 17  | 17  | GLC25... |

adapter for Ø12 and Ø16 - see adapter sets table

## mounting plate for guides Ø20 and 25

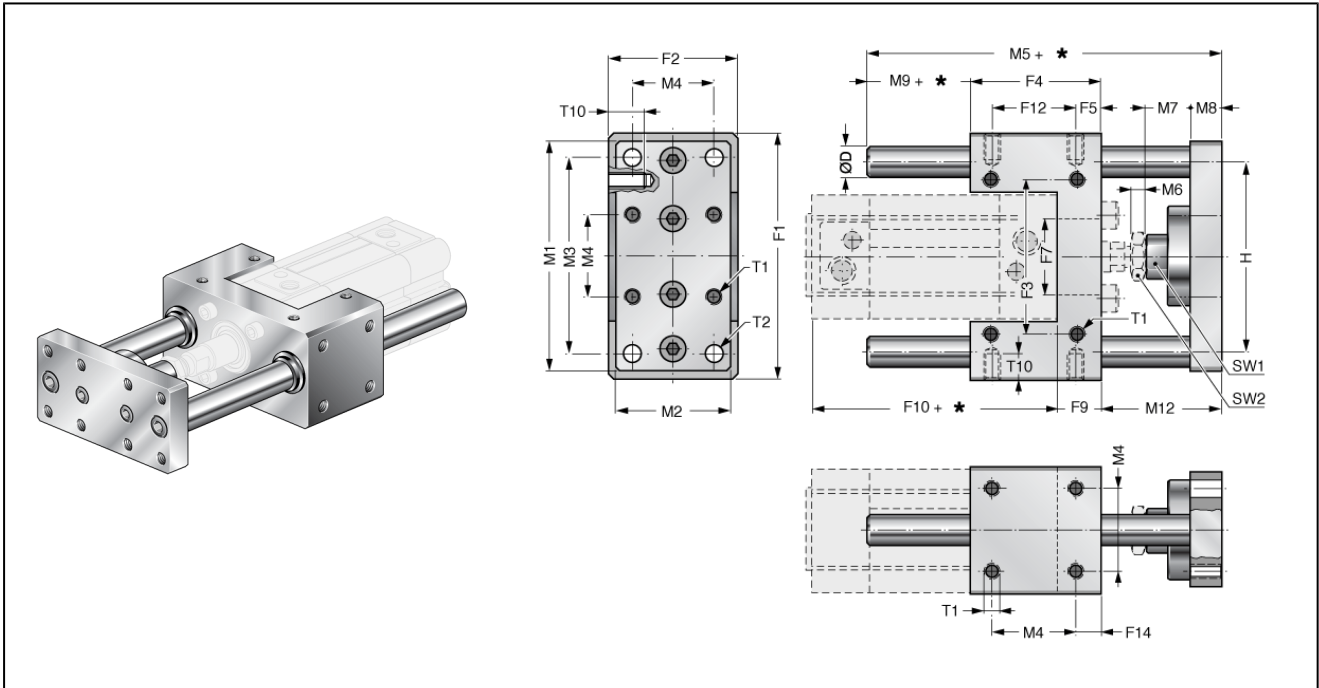


| Ø     | A  | F11 | F18 | F19 | F20 | F21 | ØT9 | weight [kg] | type     |
|-------|----|-----|-----|-----|-----|-----|-----|-------------|----------|
| 20/25 | 25 | 32  | 50  | 56  | 70  | 10  | 7   | 0,26        | GLC2025P |

material: galvanised steel

scope of supply: incl. 2 mounting screws

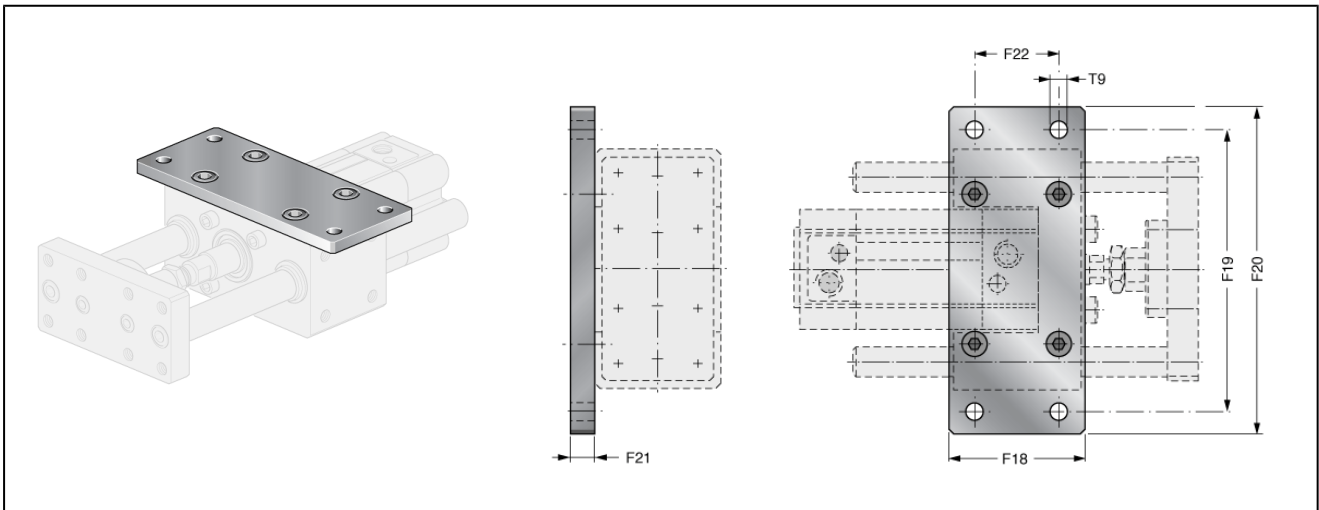
## linear control unit Ø32 to 100



| Ø   | ØD | F1  | F2  | F3  | F4  | ØF7 | F9 | F10 | F12  | F5  | F14  | H   | M1  | M2  | M3  | M4   | M5  | M6 | M7 | M8 | M9 | M12 | ØT1 | ØT2 | T10 | SW1 | SW2 | type      |
|-----|----|-----|-----|-----|-----|-----|----|-----|------|-----|------|-----|-----|-----|-----|------|-----|----|----|----|----|-----|-----|-----|-----|-----|-----|-----------|
| 32  | 10 | 100 | 48  | 58  | 48  | 30  | 17 | 94  | 32,5 | 7,8 | 7,8  | 74  | 90  | 45  | 78  | 32,5 | 106 | 6  | 17 | 12 | 13 | 45  | M6  | 6,5 | 12  | 15  | 17  | GLC32...  |
| 40  | 12 | 106 | 56  | 64  | 58  | 35  | 21 | 105 | 38   | 10  | 10   | 80  | 100 | 50  | 84  | 38   | 117 | 7  | 22 | 12 | 6  | 53  | M6  | 6,5 | 12  | 15  | 19  | GLC40...  |
| 50  | 12 | 125 | 66  | 80  | 59  | 40  | 25 | 106 | 46,5 | 6,3 | 6,3  | 96  | 120 | 60  | 100 | 46,5 | 129 | 8  | 26 | 15 | 6  | 64  | M8  | 8,5 | 16  | 22  | 24  | GLC50...  |
| 63  | 12 | 132 | 76  | 95  | 76  | 45  | 25 | 121 | 56,5 | 9,8 | 9,8  | 104 | 125 | 70  | 105 | 56,5 | 146 | 8  | 26 | 15 | 6  | 64  | M8  | 8,5 | 16  | 22  | 24  | GLC63...  |
| 80  | 16 | 165 | 98  | 130 | 90  | 45  | 34 | 128 | 50   | 20  | 9    | 130 | 155 | 90  | 130 | 72   | 170 | 9  | 33 | 16 | 8  | 72  | M10 | 11  | 18  | 27  | 30  | GLC80...  |
| 100 | 16 | 185 | 118 | 150 | 110 | 55  | 39 | 138 | 70   | 20  | 10,5 | 150 | 175 | 110 | 150 | 89   | 190 | 9  | 33 | 16 | 8  | 72  | M10 | 11  | 18  | 27  | 30  | GLC100... |

adapter for Ø20 and Ø25 - see adapter sets table

## mounting plate for guides Ø32 to 100

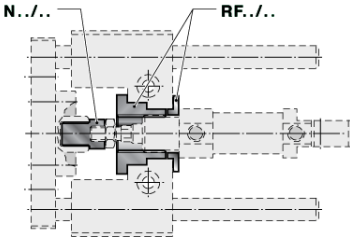


| Ø   | F18 | F19 | F20 | F21 | F22  | ØT9 | weight [kg] | type    |
|-----|-----|-----|-----|-----|------|-----|-------------|---------|
| 32  | 50  | 116 | 130 | 10  | 32,5 | 6,5 | 0,5         | GLC32P  |
| 40  | 55  | 126 | 142 | 10  | 38   | 8,5 | 0,6         | GLC40P  |
| 50  | 70  | 150 | 170 | 12  | 46,5 | 8,5 | 1,1         | GLC50P  |
| 63  | 80  | 156 | 176 | 12  | 56,5 | 8,5 | 1,3         | GLC63P  |
| 80  | 100 | 195 | 220 | 15  | 80   | 12  | 2,55        | GLC80P  |
| 100 | 120 | 217 | 245 | 15  | 95   | 14  | 3,39        | GLC100P |

material: galvanised steel

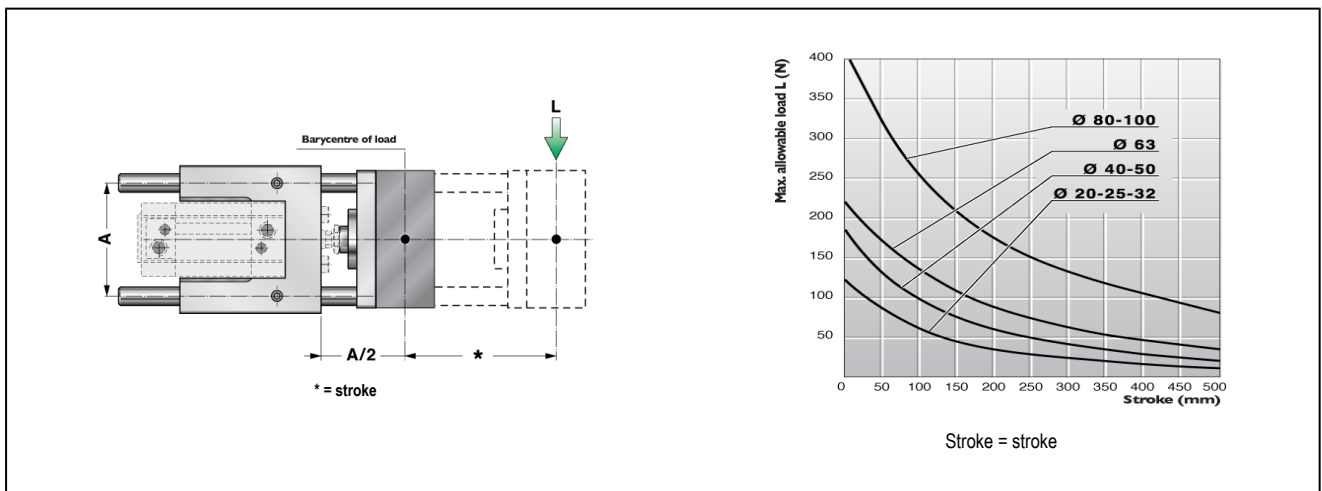
scope of supply: incl. 4 mounting screws

## adapter sets

|  | linear control unit type | Ø12               | Ø16                | Ø20                | Ø25 | Ø32               | Ø40               | Ø50                 | Ø63                 | Ø80 |
|---|--------------------------|-------------------|--------------------|--------------------|-----|-------------------|-------------------|---------------------|---------------------|-----|
|   | GLC20../GLC25..          | RF25/12<br>N12/25 | RF25/16<br>NC16/25 |                    |     |                   |                   |                     |                     |     |
| GLC32..   |                          |                   | RF32/20<br>NC20/32 | RF32/25<br>NC25/32 |     |                   |                   |                     |                     |     |
| GLC40..   |                          |                   | RF40/20<br>N20/40  | RF40/25<br>N25/40  | •   |                   |                   |                     |                     |     |
| GLC50..   |                          |                   |                    |                    |     | RF50/32<br>N32/50 | •                 |                     |                     |     |
| GLC63..   |                          |                   |                    |                    |     | RF63/32<br>N32/63 | RF63/40<br>N40/63 | •                   |                     |     |
| GLC80..   |                          |                   |                    |                    |     |                   | RF80/40<br>N40/80 | RF80/50<br>N59/80   | •                   |     |
| GLC100..  |                          |                   |                    |                    |     |                   |                   | RF100/50<br>N50/100 | RF100/63<br>N63/100 | •   |

- available upon request

## max. load



illustrations are non-binding  
all designs, configurations, measurements and materials are subject to change without prior notice