


rodless magnetic cylinder with accessoires series RLF



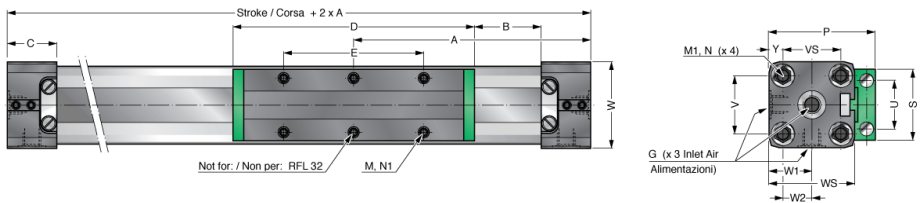
RLF --- - --- -

16 ø16	stroke [mm]	O standard
25 ø25	ø25 to ø63: 100 to 5700 mm	V viton seals
32 ø32	ø16: 100 to 3300 mm	X stainless steel screws
40 ø40		VX viton seals, stainless steel screws
50 ø50		
63 ø63		

design	rodless magnetic cylinder
heads	hard-anodized aluminum
carriage	hard-anodized aluminum
cylinder tube	aluminum profile hard anodized
seals volumes	stainless steel
cushions	pneumatic, adjustable
ambient temperature	-15...+80°C
medium temperature	0...+40°C
lubrication	not necessary
medium	filtered compressed air
operating pressure	0,5...8 bar
information	CAD files are available on the STASTO Store under www.stasto.eu magnetic switch see separate datasheet

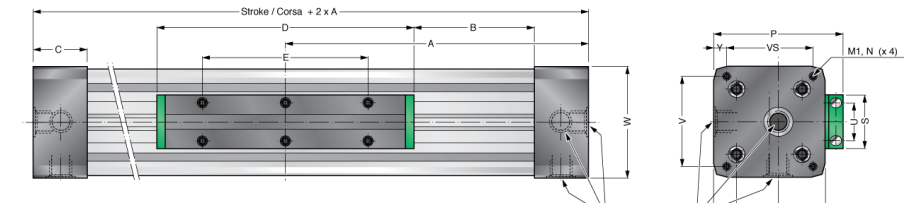
dimension

RLF 16 - 32:



Stroke = stroke

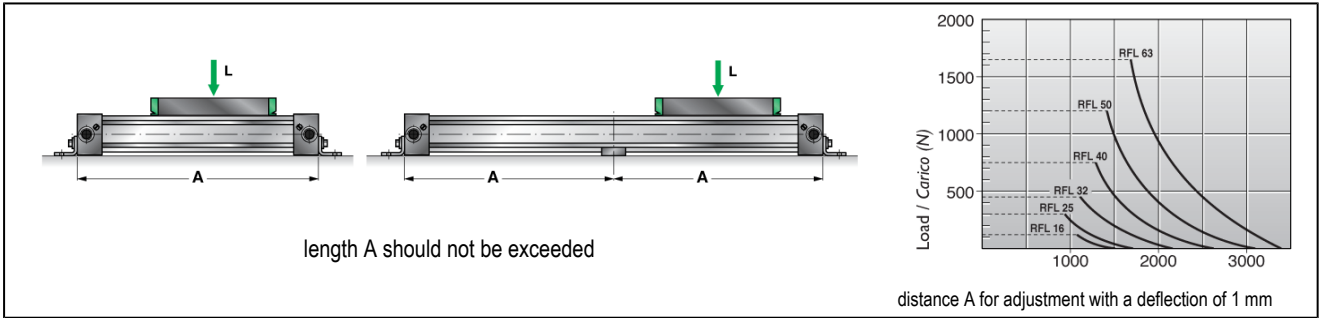
RLF 40 - 63:



Stroke = stroke

Ø	A	B	C	D	E	G	M	M1	N	N1	P	S	U	V	VS	W	WS	W1	W2	Y	cushion length	type
16	65	15,5	15	69	36	M5	M4	M3	7	7	36,5	22	16,5	18	18	27	27	13,5	17,1	4,5	15	RLF 16-.....
25	100	21	23	111	65	G1/8	M5	M5	12	10	52,5	33	25	27	27	40	40	20	25,8	6,5	21	RLF 25-.....
32	125	22	27	152	90	G1/4	M6	M6	14	7	66,5	36	27	36	40	52	56	30	39	8	26	RLF 32-.....
40	150	44	30	152	90	G1/4	M6	M6	17	10	80	36,4	27	54	54	72	69	36	48,8	9	32	RLF 40-.....
50	175	42	33	200	110	G1/4	M6	M6	18	16	89	56	27	70	70	80	80	44,5	44,5	5	32	RLF 50-.....
63	215	47,5	50	235	155	G3/8	M8	M8	18	15	123	50	36	78	78	106	106	62,5	48,8	14,5	40	RLF 63-.....

shear force



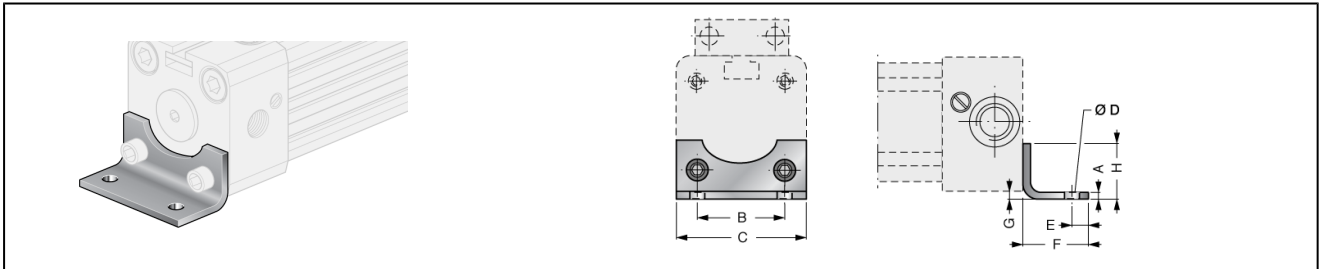
forces and torques

the indicated values are maximum values under a condition of small shock loading and a speed of 0,45m/s. max. pressure 6bar. an increase of the values in dynamic function, even if only short term, must be avoided. warning: resulting forces can lead to strong increases in the values. In case of undefinable situation maximum values have to be reduced for 20%..

Ø	longitudinal force [N] at 6 bar	max. load L [N]	Ma axial [Nm]	Mr radial [Nm]	Mv central [Nm]
16	110	120	4	0,3	0,5
25	250	300	15	1	3
32	420	450	30	2	4,5
40	640	750	60	4	8
50	1000	1200	115	7	15
63	1550	1650	200	8	24

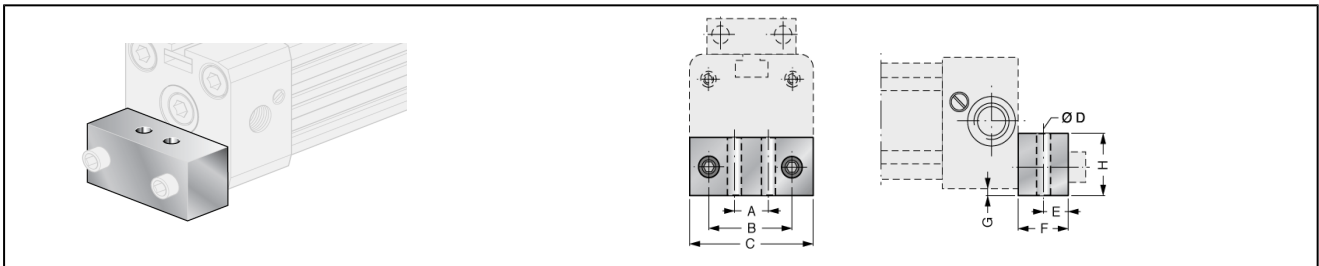
accessories

RLP - .. feet-type bracket



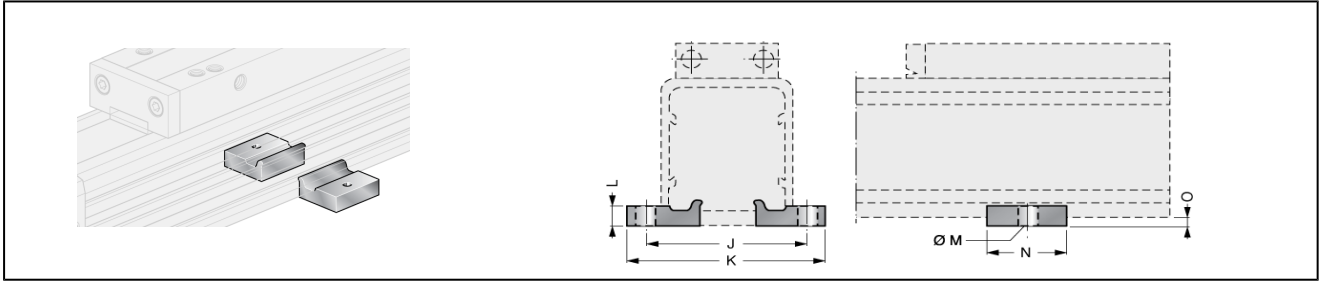
Ø	A	B	C	ØD	E	F	G	H	type
16	1,5	18	26	3,6	4	14	1,5	12,5	RLP-16
25	2,5	27	40	5,5	6	22	2	18	RLP-25

RLQ - .. feet-type bracket



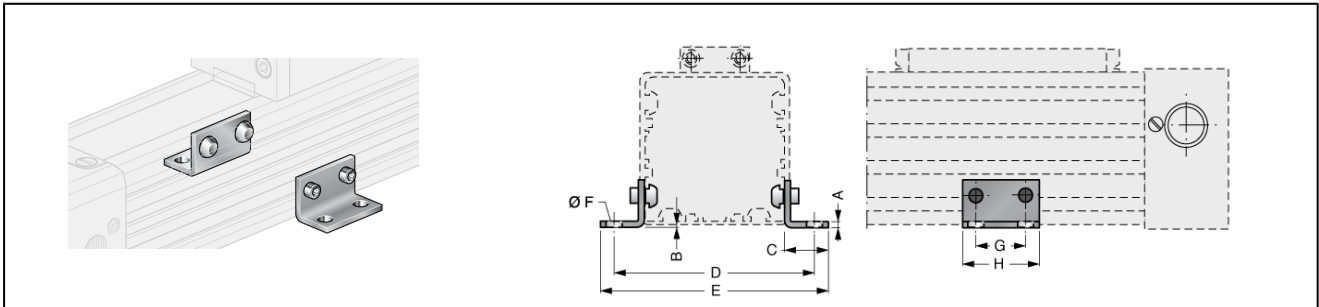
Ø	A	B	C	ØD	E	F	G	H	type
32	20	36	51	6,5	8	24	4	20	RLQ-32
40	30	54	71	9	11,5	24	2	20	RLQ-40
50	45	70	80	9	12,5	25	1	25	RLQ-50
63	48	78	105	11	15	30	2	40	RLQ-63

RLMI - .. bearing brackets



Ø	J	K	L	ØM	N	O	type
16	41,5	53,5	5	5,5	20	3	RLMI-16
25	48,5	60	6	5,5	20	4	RLMI-25

RLML - .. bearing brackets



Ø	A	B	C	D	E	ØF	G	H	type
32	5	6	20	82	91	4,5	30	45	RLML-32
40	5	8,5	20	90	99	4,5	30	45	RLML-40
50	5	1	35	123	148	6,5	30	45	RLML-50
63	5	3,5	35	147	172	6,5	30	45	RLML-63

illustrations are for information only and are non-binding
 all designs, configurations, measurements and materials are subject to change without prior notice